


# THERMOSTATIC MIXING VALVE

surfashower®

## Thermostatic Models

Valve is ASSE 1016 Listed 

**SS-7600-100/3ISA-RSD**

**SS-7600-102-RSD**

**SS-7600-104-RSD**

**SS-7600-H15-RSD**



### SS7600-100/3ISA

- Copper encapsulated thermostat assembly with brass shuttle, compensates for temperature fluctuations induced by water temperature and pressure changes
- Built-in shutoff for single handle operation
- Integral checkstops
- Cast wall flange and lever handle, polished chrome plated
- Maximum operating pressure: 125 PSI (860 KPA)
- Adjustable high temperature limit stop set for 110°F\* (43°C)
- Color-coded dial
- ½" flexible stainless steel hose on inlets
- Capacity of 4 GPM (15 L/min)
- H-06 institutional shower head, 2.5 GPM (95 l/min.) max.
- Exposed parts chrome plated, vandal resistant
- Maximum supply pressure: 125 PSI (860 KPA)
- 18 Ga. Stainless steel cover
- Recessed soap dish
- Factory assembled and tested

#### SS-7600-102-RSD

- H-01 adjustable spray ball joint shower head 2.5 GPM (9.5 l/min.)

#### SS-7600-104-RSD

- H-03 adjustable spray ball joint shower head 2.5 GPM (9.5 l/min.)

#### SS-7600-H15-RSD

- H-15 adjustable spray ball joint massage shower head 1.5 GPM (5.7 l/min.) high-impact ABS body chrome plated

## SS-7600-100/3ISA-RSD

All Leonard Model 7600 Thermostatic Shower Valves have limitations. Please keep in mind that per the ASSE 1016-2011 Performance Standard, Harmonized along with ASME and CSA, it dictates inlet conditions of equal pressures, 45 PSI on both Hot and Cold Inlets, in addition to a Hot supply temperature range of 140 deg F- 180 deg F. Significant deviations from those conditions stated above will alter performance expectations.

Note: Leonard Valve Company reserves the right of product, or design modifications without notice or obligation.

### OPTIONS:

- \_\_\_SUFFIX VX - Integral stainless steel extension to ceiling, specify length\_\_". See reverse side to calculate VX length
- \_\_\_SUFFIX C102S - C102S Brass showerhead 2.0 GPM flow rate
- \_\_\_SUFFIX ADJ- 3ISA ONLY Adjustable shower head 2.5 GPM (9.5 l/min)
- \_\_\_SUFFIX 1.5- H-06 Shower head with 1.5 GPM flow rate



**WARNING:** This product can expose you to chemicals including lead, which is known to the State of California to cause cancer. For more information, go to [www.P65Warnings.Ca.gov](http://www.P65Warnings.Ca.gov)

<b>Engineer's Approval</b>	Job # _____
	Arch/Eng. _____
	Contractor _____

 **LEONARD**<sup>®</sup>  
WATER TEMPERATURE CONTROLS

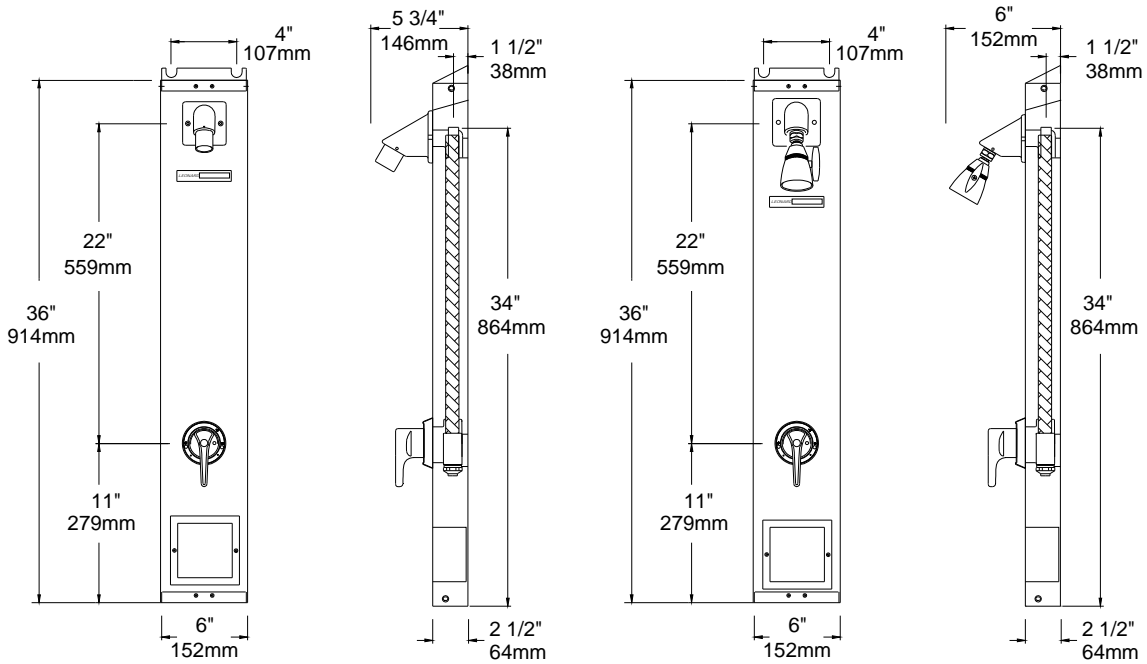
1360 Elmwood Avenue, Cranston, RI 02910 USA

Phone: 401.461.1200 Fax: 401.941.5310

Email: [info@leonardvalve.com](mailto:info@leonardvalve.com)

Web Site: <http://www.leonardvalve.com>

# Thermostatic Models



## SUFFIX VX

(For SS-7600-100/3ISA)

**VX Length:**

**To calculate:**

**VX Length = Ceiling height  
minus shower head height  
minus 5" (127mm)**

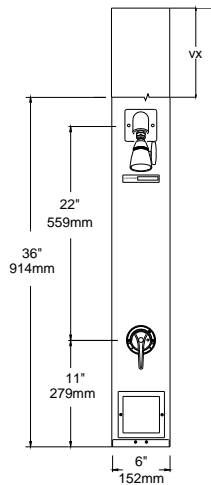
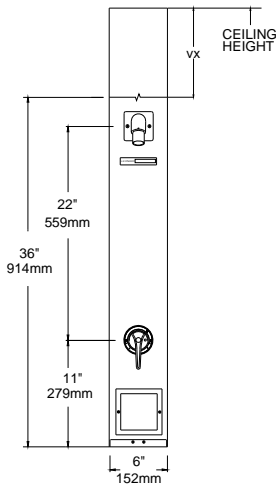
## SUFFIX VX

(For SS-7600-104(102)(H-15))

**VX Length:**

**To calculate:**

**VX Length = Ceiling height minus  
shower head height minus 7 1/2"  
(191mm) (-104)  
minus 8 1/4" (209mm) (-102)(H-15)**



1360 Elmwood Avenue, Cranston, RI 02910 USA

Phone: 401.461.1200 Fax: 401.941.5310

Email: [info@leonardvalve.com](mailto:info@leonardvalve.com)

Web Site: <http://www.leonardvalve.com>